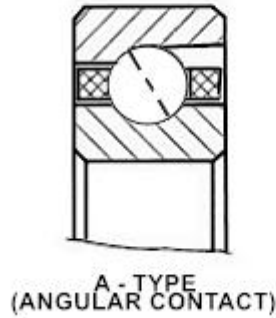
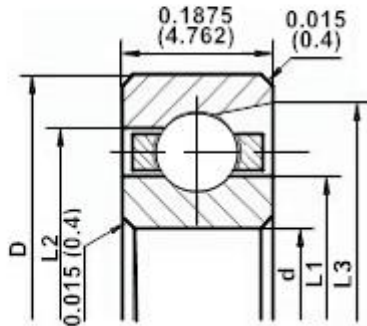
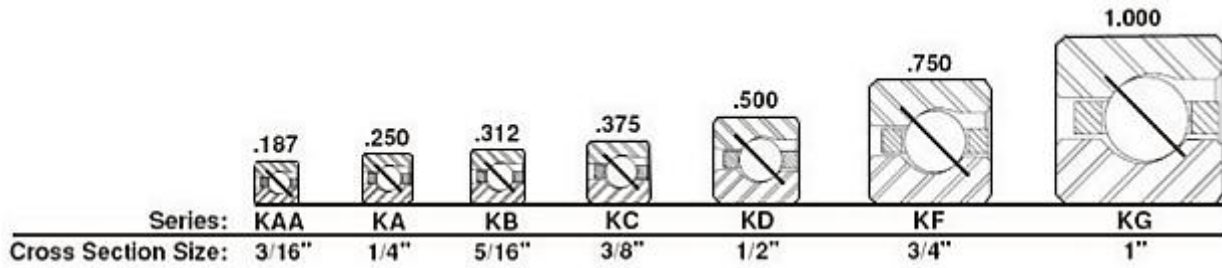
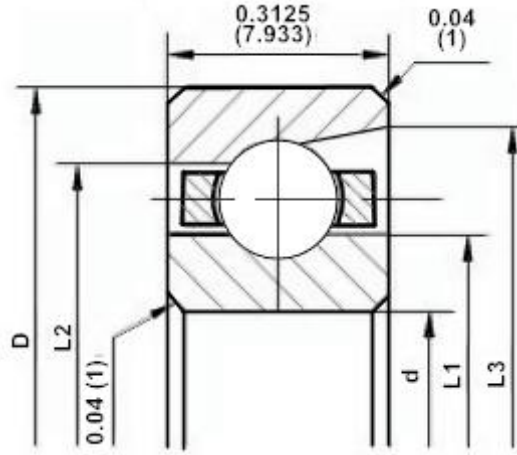


A 型角接觸薄壁軸承



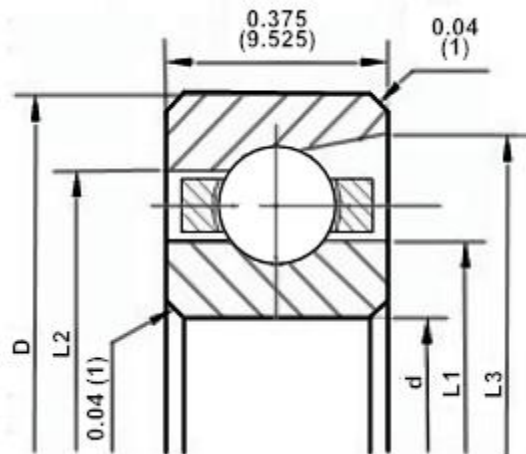
DKAA 系列							對應型號			
型號	尺寸		額定承載力 (N)				單重			
	(inch / mm)		徑向		推力					
	d	D	Cor	Cr	Coa	Ca				
DKAA10AG0	1.000	1.375	1510	670	4310	2000	0.011	KYS010	DKAA10AG0	CSEAA010-TN
	25.400	34.925								
DKAA15AG0	1.500	1.875	21.0	890	6130	3250	0.017	KYS015	DKAA15AG0	CSEAA015-TN
	38.100	47.625								
DKAA17AG0	1.750	2.125	2220	2060			0.020		DKAA17AG0	CSEAA017-TN
	44.450	53.975								
DKA020ARO	2.000	2.500	3510	1470	10140	4270	0.045	KYA020	DKAA020ARO	CSEA020
	50.800	63.500								
DKA025ARO	2.500	3.000	4270	1690	12360	4890	0.054	KYA025	DKAA025ARO	CSEA025
	63.500	76.200								
DKA030ARO	3.000	3.500	5070	1910	14620	5470	0.064	KY A030	DKAA030ARO	CSEAA-TN
	76.200	88.900								
DKA035ARO	3.500	4.000	5830	2090	16850	6000	0.077	KYA035	DKA035ARO	CSEA035
	88.900	101.600								
DKA040ARO	4.000	4.500	6630	2270	19110	6530	0.086	KYA040	DKA040ARO	CSEA040
	101.600	114.300								

DKA042ARO	4.250	4.750	7020	2360	20230	6800	0.091	KYA042	DKA042ARO	CSEA042
	107.950	120.650								
DKA045ARO	4.500	5.000	7380	2450	21380	7020	0.095	KYA045	DKA045ARO	CSEA045
	114.300	127.000								
DKA147ARO	4.750	5.250	7780	2530	22490	7290	0.100	KYA147	DKA147ARO	CSEA147
	120.650	133.350								
DKA050ARO	5.000	5.500	8180	2620	23600	7510	0.104	KYA050	DKA050ARO	CSEA050
	127.000	139.700								
DKA055ARO	5.500	6.000	8980	2760	25870	8000	0.113	KYA055	DKA055ARO	CSEA055
	139.700	152.400								
DKA060ARO	6.000	6.500	9740	2930	28090	8450	0.127	KYA060	DKA060ARO	CSEA060
	152.400	165.100								
DKA065ARO	6.500	7.000	10540	3070	30360	8890	0.136	KYA065	DKA065ARO	CSEA065
	165.100	177.800								
DKA070ARO	7.000	7.500	11290	11290	3250	32630	0.145	KYA070	DKA070ARO	CSEA070
	177.800	190.500								
DKAA075RO	7.500	8.000	12090	12090	3380	34850	0.154	KYA075	DKAA075RO	CSEA075
	190.500	203.200								
DKA080ARO	8.000	8.500	12850	3510	37120	10140	0.163	KYA080	DKA080ARO	CSEA080
	203.200	215.90								
DKA090ARO	9.000	9.500	14400	3780	41610	10980	0.186	KYA090	DKA090ARO	CSEA090
	228.600	241.300								
DKA100ARO	10.000	10.500	15960	4050	46100	11740	0.204	KYA100	DKA100ARO	CSEA100
	254.000	266.700								
DKA110ARO	11.000	11.500	17510	4310	50580	12490	0.227	KYA110	DKA110ARO	CSEA110
	279.400	292.100								
DKA120ARO	12.000	12.500	19070	4580	55070	13200	0.245	KYA120	DKA120ARO	CSEA120
	304.800	317.500								



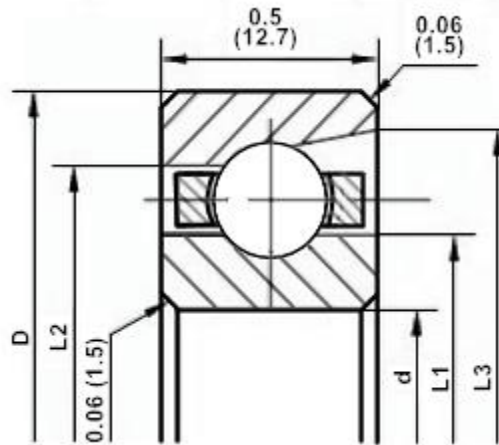
DKB 系列								對應型號		
型號	尺寸		額定承載力 (N)				單重			
	(inch / mm)		徑向		推力					
	d	D	Cor	Cr	Coa	Ca	Kg	NTN	KAYDON	INA
DKB020ARO	2.000	2.625	4850	2130	14000	6130	0.068	KYB020	KB020ARO	CSEB020
	50.800	66.675								
DKB025ARO	2.500	3.125	5960	2450	17160	7070	0.086	KYB025	KB025ARO	CSEB025
	63.500	79.375								
DKB030ARO	3.000	3.625	6890	2710	19870	7780	0.100	KYB030	KB030ARO	CSEB030
	76.200	92.075								
DKB035ARO	3.500	4.125	7960	2980	23030	8580	0.122	KYB030	KB035ARO	CSEB030
	88.900	104.775								
DKB040ARO	4.000	4.625	9070	3250	26180	9340	0.136	KYB030	KB040ARO	CSEB030
	101.600	117.475								
DKB042ARO	4.250	4.875	9560	3330	27560	9650	0.141	KYB042	KB042ARO	CSEB042
	107.950	123.825								
DKB045ARO	4.500	5.125	10000	3470	28890	9960	0.154	KYB	KB045ARO	CSEB
	114.300	130.175								
DKB047ARO	4.750	5.375	10620	3600	30720	10400	0.159	KYB	KB047ARO	CSEB
	120.650	136.525								
DKB050ARO	5.000	5.625	11110	3690	32050	10710	0.168	KYB050	KB050ARO	CSEB050
	127.000	142.875								
DKB055ARO	5.500	6.125	12180	3960	35200	11380	0.181	KYB055	KB055ARO	CSEB055
	139.700	155.575								
DKB060ARO	6.000	6.625	13290	4180	38360	12050	0.200	KYB060	KB060ARO	CSEB060
	152.400	168.275								

DKB065ARO	6.500	7.125	14220	4360	41070	12620	0.213	KYB065	KB065ARO	CSEB065
	165.100	180.975								
DKB070ARO	7.000	7.625	15340	4580	44270	13250	0.227	KYB070	KB070ARO	CSEB070
	177.800	193.675								
DKB075ARO	7.500	8.125	16450	4800	47430	13870	0.245	KYB075	KB075ARO	CSEB075
	190.500	206.375								
DKB080ARO	8.000	8.625	17510	5020	50580	14490	0.259	KYB080	KB080ARO	CSEB080
	203.200	219.075								
DKB090ARO	9.000	9.625	19560	5420	56450	15600	0.290	KYB090	KB090ARO	CSEB090
	228.600	244.475								
DKB100ARO	10.000	10.625	21740	5780	62760	16710	1.322	KYB100	KB100ARO	CSEB100
	254.000	269.875								
DKB110ARO	11.000	11.625	23780	6130	68630	17780	1.354	KYB110	KB110ARO	CSEB110
	279.400	295.275								
DKB120ARO	12.000	12.625	25960	6530	74940	18850	1.386	KYB120	KB120ARO	CSEB120
	304.800	320.675								
DKB140ARO	14.000	14.625	30050	7200	86680	20760	0.445	KYB140	KB140ARO	CSEB140
	355.600	371.475								
DKB160ARO	16.000	16.625	34270	7870	98900	22670	0.509	KYB160	KB160ARO	CSEB160
	406.400	422.275								
DKB180ARO	18.000	18.625	38490	8490	111080	24490	0.572	KYB180	KB180ARO	CSEB180
	457.200	473.075								
DKB200ARO	20.000	20.625	42720	9110	123260	26230	0.635	KYB200	KB200ARO	CSEB200
	508.000	523.875								



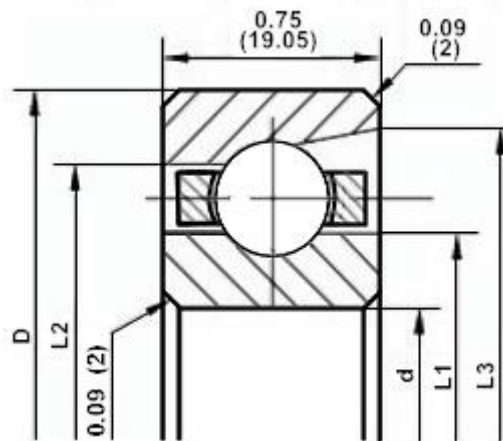
DKC 系列								對應型號		
型號	尺寸		額定承載力 (N)				單重			
	(inch / mm)		徑向		推力					
	d	D	Cor	Cr	Coa	Ca	Kg	NTN	KAYDON	INA
DKC040ARO	4.000	4.750	11340	4270	32720	12310	0.200	KYC040	KC040ARO	CSEC040
	101.600	120.650								
DKC042ARO	4.250	5.000	12050	4450	34760	12800	0.209	KYC042	KCARO042	CSEC042
	107.900	127.000								
DKC045ARO	4.500	5.250	12710	4620	36760	13290	0.222	KYC045	KCARO045	CSEC045
	114.300	133.350								
DKC047ARO	4.750	5.000	13420	4760	38760	13780	0.231	KYC047	KCARO047	CSEC047
	120.650	139.700								
DKC050ARO	5.000	5.750	14140	4930	40760	14220	0.245	KYC050	KC050ARO	CSEC050
	127.000	146.050								
DKC055ARO	5.500	6.250	15290	5200	44090	14980	0.263	KYC055	KC055ARO	CSEC055
	139.700	158.750								
DKC060ARO	6.000	6.750	16670	5510	48100	15710	0.290	KYC060	KC060ARO	CSEC060
	152.400	171.450								
DKC065ARO	6.500	7.250	18050	5820	52100	16760	0.308	KYC065	KC065ARO	CSEC065
	165.100	184.150								
DKC070ARO	7.000	7.750	19200	6050	55430	17490	0.336	KYC070	KC070ARO	CSEC070
	177.800	196.850								
DKC075ARO	7.500	8.250	20580	6360	59470	18310	0.354	KYC075	KC075ARO	CSEC075
	190.500	209.550								
DKC080ARO	8.000	8.750	22010	6620	63480	19110	0.381	KYC080	KC080ARO	CSEC080
	203.200	222.300								
DKC190ARO	9.000	9.750	24540	7110	70810	20580	0.445	KYC190	KC190ARO	CSEC190
	228.600	247.650								
DKC100ARO	10.000	10.750	27290	7650	78810	22090	0.472	KYC100	KC100ARO	CSEC100
	254.000	273.050								
DK110CARO	11.000	11.750	29870	8130	86190	23470	0.517	KYC110	KC110ARO	CSEC110
	279.400	298.450								
DK120CARO	12.000	12.750	32400	8580	93520	24800	0.558	KYC120	KC120ARO	CSEC120
	304.800	323.850								
DK140CARO	14.000	14.750	37740	9510	108900	27430	0.649	KYC140	KC140ARO	CSEC140
	355.600	374.650								

DK160CARO	16.000	16.750	43030	10360	124240	29920	0.739	KYC160	KC160ARO	CSEC160
	406.400	425.450								
DK180CARO	18.000	18.750	48360	11200	139620	32360	0.830	KYC180	KC180ARO	CSEC180
	457.200	476.250								
DKC200ARO	20.000	20.750	53470	11960	154330	34580	0.921	KYC200	KC200ARO	CSEC200
	508.000	527.050								



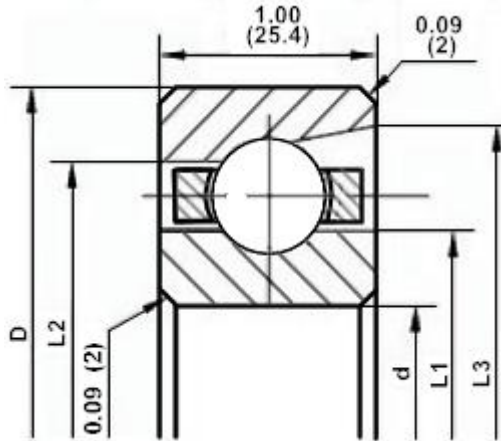
DKD 系列								對應型號		
型號	尺寸		額定承載力 (N)				單重			
	(inch / mm)		徑向		推力					
	d	D	Cor	Cr	Coa	Ca				
DKD040ARO	4.000	5.000	15780	6580	45610	18940	0.363	KYD040	KD040ARO	CSED040
	101.600	127.000								
DKD042ARO	4.250	5.250	16670	6800	48140	19650	0.381	KYD042	KD042ARO	CSED042
	107.950	133.350								
DKD045ARO	4.500	5.500	17560	7020	50670	20310	0.400	KYD045	KD045ARO	CSED045
	114.300	139.700								
DKD047ARO	4.750	5.750	18450	7290	53210	20980	0.422	KYD047	KD047ARO	CSED047
	120.650	146.050								
DKD050ARO	5.000	6.000	19290	7510	55740	21650	0.445	KYD050	KD050ARO	CSED050
	127.000	152.400								
DKD055ARO	5.500	6.500	21070	7960	60810	22940	0.481	KYD055	KD055ARO	CSED055
	139.700	165.100								
DKD060ARO	6.000	7.000	22800	8400	65800	24180	0.522	KYD060	KD060ARO	CSED060
	152.400	177.800								
DKD065ARO	6.500	7.500	24580	8800	70940	25430	0.562	KYD065	KD065ARO	CSED065
	165.100	190.500								

DKD070ARO	7.000	8.000	26310	9200	76010	26630	0.603	KYD070	KD070ARO	CSED070
	177.800	203.200								
DKD075ARO	7.500	8.500	28090	9650	81080	27780	0.644	KYD075	KD075ARO	CSED075
	190.500	215.900								
DKD080ARO	8.000	9.000	29830	10050	86140	28940	0.689	KYD080	KD080ARO	CSED080
	203.200	228.600								
DKD090ARO	9.000	10.000	33340	10800	69280	31160	0.767	KYD090	KD090ARO	CSED090
	228.600	254.000								
DKD100ARO	10.000	11.000	36850	11560	106410	33340	0.848	KYD100	KD100ARO	CSED100
	254.000	279.400								
DKD110ARO	11.000	12.000	40360	12270	116550	35380	0.930	KYD110	KD110ARO	CSED110
	279.400	304.800								
DKD120ARO	12.000	13.000	43870	12980	126680	37430	1.010	KYD120	KD120ARO	CSED120
	304.800	330.200								
DKD140ARO	14.000	15.000	50900	14310	146950	41290	1.170	KYD140	KD140ARO	CSED140
	355.600	381.000								
DKD160ARO	16.000	17.000	57920	15600	167220	45030	1.330	KYD160	KD160ARO	CSED160
	406.400	431.800								
DKD180ARO	18.000	19.000	46940	16850	187490	48580	1.490	KYD180	KD180ARO	CSED180
	457.20	482.600								
DKD200ARO	20.000	21.000	71970	18050	207760	52050	1.660	KYD200	KD200ARO	CSED200
	508.000	533.400								



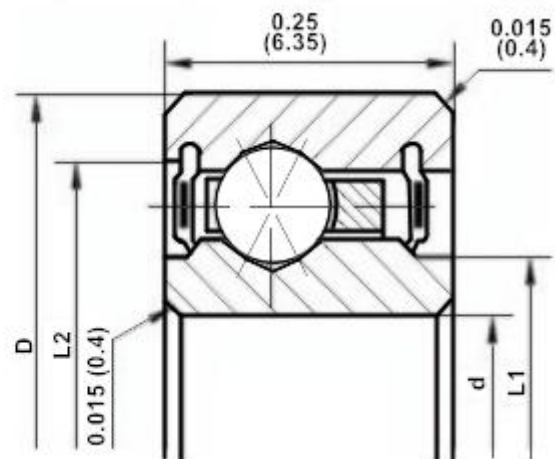
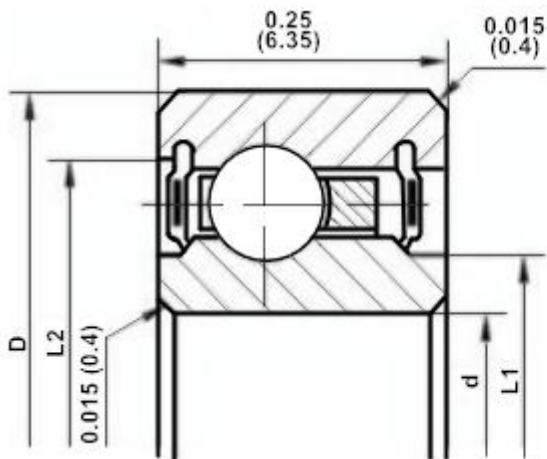
DKF 系列								對應型號		
型號	尺寸		額定承載力 (N)				單重			
	(inch / mm)		徑向		推力					
	d	D	Cor	Cr	Coa	Ca	Kg	NTN	KAYDON	INA
DKF040ARO	4.000	5.500	28230	12980	81520	37430	0.875	KYF040	KF040ARO	CSEF040
	101.600	139.700								
DKF042ARO	4.250	5.750	29340	13290	84680	38360	0.930	KYF042	KF042ARO	CSEF042
	107.950	146.050								
DKF045ARO	4.500	6.000	31520	13960	90950	40230	0.975	KYF042	KF042ARO	CSEF042
	114.300	152.400								
DKF047ARO	4.750	6.250	32580	14270	94060	41160	1.040	KYF042	KF042ARO	CSEF042
	120.650	158.750								
DKF050ARO	5.000	6.500	33650	14580	97210	42050	1.090	KYF050	KF050ARO	CSEF050
	127.000	165.100								
DKF055ARO	5.500	7.000	36940	15510	106590	44720	1.180	KYF055	KF055ARO	CSEF055
	139.700	177.800								
DKF060ARO	6.000	7.500	40180	16400	116020	47340	1.240	KYF060	KF060ARO	CSEF060
	152.400	190.500								
DKF065ARO	6.500	8.000	43430	17290	125440	49870	1.350	KYF065	KF065ARO	CSEF065
	165.100	203.200								
DKF070ARO	7.000	8.500	46720	18140	134820	52320	1.450	KYF070	KF070ARO	CSEF070
	177.800	215.900								
DKF075ARO	7.500	9.000	48900	18670	141808	53920	1.560	KYF075	KF075ARO	CSEF075
	190.500	228.600								
DKF080ARO	8.000	9.500	52140	19510	150510	56320	1.660	KYF080	KF080ARO	CSEF080
	203.200	241.300								
DKF090ARO	9.000	10.500	58630	21110	169310	60900	1.810	KYF090	KF090ARO	CSEF090
	228.600	266.700								
DKF100ARO	10.000	11.500	64100	22360	185000	64590	2.020	KYF100	KF100ARO	CSEF100
	254.000	292.100								
DKF110ARO	11.000	12.500	70590	23870	203800	68900	2.180	KYF110	KF110ARO	CSEF110
	279.400	317.500								
DKF120ARO	12.000	13.500	76010	25070	219490	72410	2.380	KYF120	KF120ARO	CSEF120
	304.800	342.900								
DKF140ARO	14.000	15.500	87970	27650	253990	79790	2.720	KYF140	KF140ARO	CSEF140
	355.600	393.700								

DKF160ARO	16.000	17.500	99920	30100	288440	86860	3.220	KYF160	KF160ARO	CSEF160
	406.400	444.500								
DKF180ARO	18.000	19.500	112950	32670	326090	94280	3.580	KYF180	KF180ARO	CSEF180
	457.200	495.300								
DKF200ARO	20.000	21.500	124910	34940	365080	100810	4.040	KYF200	KF200ARO	CSEF200
	508.000	546.100								

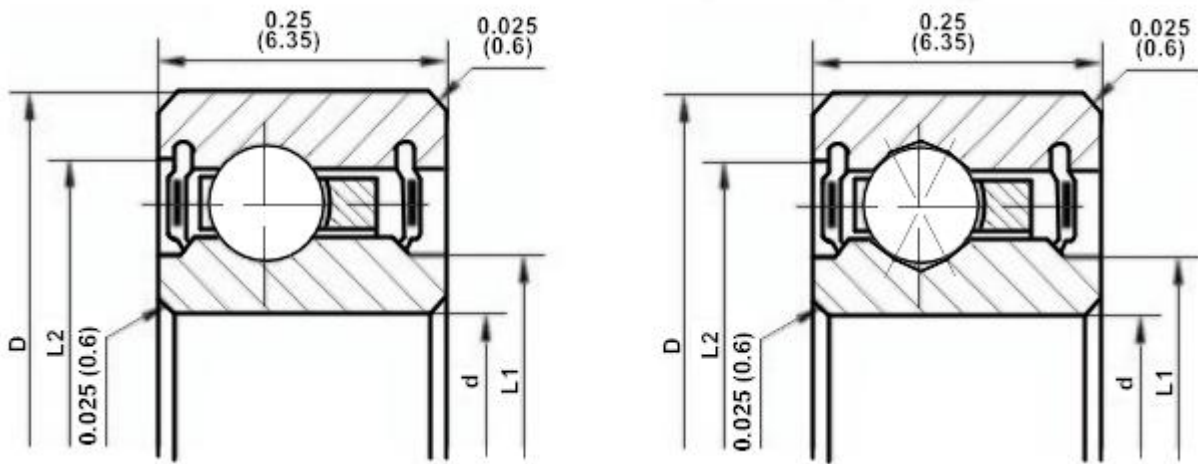


DKG 系列								對應型號		
型號	尺寸		額定承載力 (N)				單重			
	(inch / mm)		徑向		推力					
	d	D	Cor	Cr	Coa	Ca		Kg	NTN	KAYDON
DKG040ARO	4.000	6.000	42140	20980	121620	60590	1.640	KYG040	KG040ARO	CSEG040
	101.600	152.400								
DK042GAR0	4.250	6.250	44230	21690	227710	62630	1.740	KYG042	KG042ARO	CSEG042
	107.950	159.750								
DKG045ARO	4.500	6.500	46360	22360	133800	64590	1.790	KYG045	KG045ARO	CSEG045
	114.300	165.100								
DKG047ARO	4.750	6.750	48450	23020	139840	66540	1.890	KYG047	KG047ARO	CSEG047
	120.650	171.450								
DKG050ARO	5.000	7.000	50540	23690	145930	68450	2.000	KYG050	KG050ARO	CSEG050
	127.000	177.800								
DKG055ARO	5.500	7.500	54760	25030	158110	72190	2.150	KYG055	KG055ARO	CSEG055
	139.700	190.500								
DKG060ARO	6.000	8.000	58990	26270	170240	75830	2.300	KYG060	KG060ARO	CSEG060
	152.400	203.200								
DKG065ARO	6.500	8.500	63120	27520	182420	79430	2.450	KYG065	KG065ARO	CSEG065
	165.100	215.900								

DKG070ARO	7.000	9.000	67390	28720	194600	82900	2.660	KYG070	KG070ARO	CSEG070
	177.800	228.600								
DKG075ARO	7.500	9.500	71610	29920	206740	86320	2.810	KYG075	KG075ARO	CSEG075
	190.500	241.300								
DKG080ARO	8.000	10.000	75830	31071	218920	89700	2.970	KYG080	KG080ARO	CSEG080
	203.200	254.000								
DKG090ARO	9.000	11.000	84280	33340	243230	96190	3.270	KYG090	KG090ARO	CSEG090
	228.600	279.400								
DKG100ARO	10.000	12.000	92680	35520	267550	102500	3.630	KYG100	KG100ARO	CSEG100
	254.000	304.800								
DKG110ARO	11.000	13.000	101120	37650	291860	108640	3.940	KYG110	KG110ARO	CSEG110
	279.400	331.200								
DKG120ARO	12.000	14.000	109530	39690	316220	114590	4.300	KYG120	KG120ARO	CSEG120
	304.800	355.600								
DKG140ARO	14.000	16.000	126370	43650	346850	126060	4.940	KYG140	KG140ARO	CSEG140
	355.600	406.400								
DKG160ARO	16.000	18.000	143220	47470	413470	137040	5.620	KYG160	KG160ARO	CSEG160
	406.400	457.200								
DKG180ARO	18.000	20.000	160110	51120	462280	147570	6.260	KYG180	KG180ARO	CSEG180
	457.200	508.000								
DKG200ARO	20.000	22.000	176960	54670	510730	157750	6.890	KYG200	KG200ARO	CSEG200
	508.000	558.800								

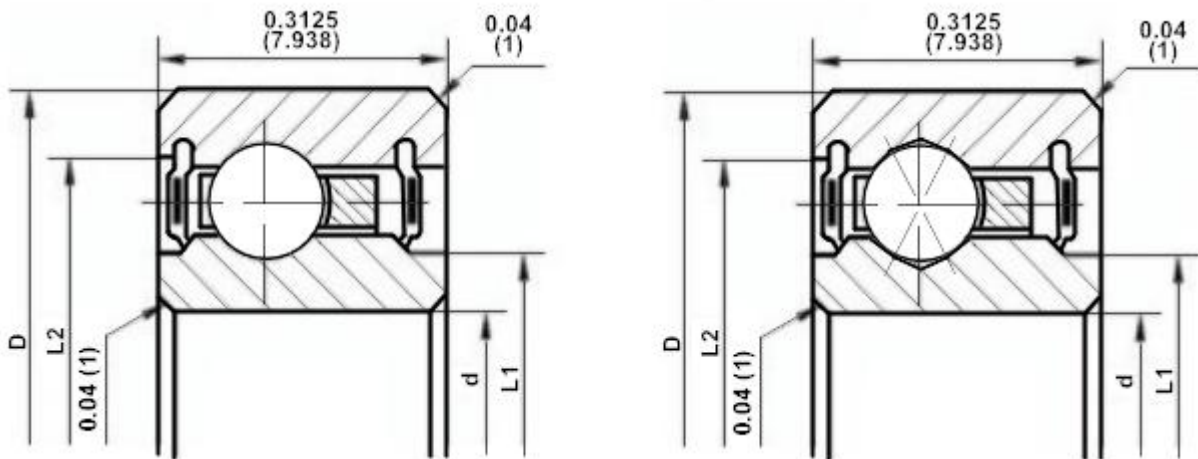


Radial Contact 系列 (L 系列)								
DJHA 系列								對應型號
型號	尺寸		額定承載力 (N)				單重	
	(inch / mm)		徑向		推力			
	d	D	Cor	Coa	Cr	Ca	Kg	KAYDON
DJHA10CLO/L0	1.000	1.375	1290	3250	670	1650	0.016	JHA10CLO
	25.400	34.925						JHA10XL0
DJHA15CLO/L0	1.500	1.875	1780	4450	800	2050	0.024	JHA15CLO
	38.100	47.625						JHA15XL0



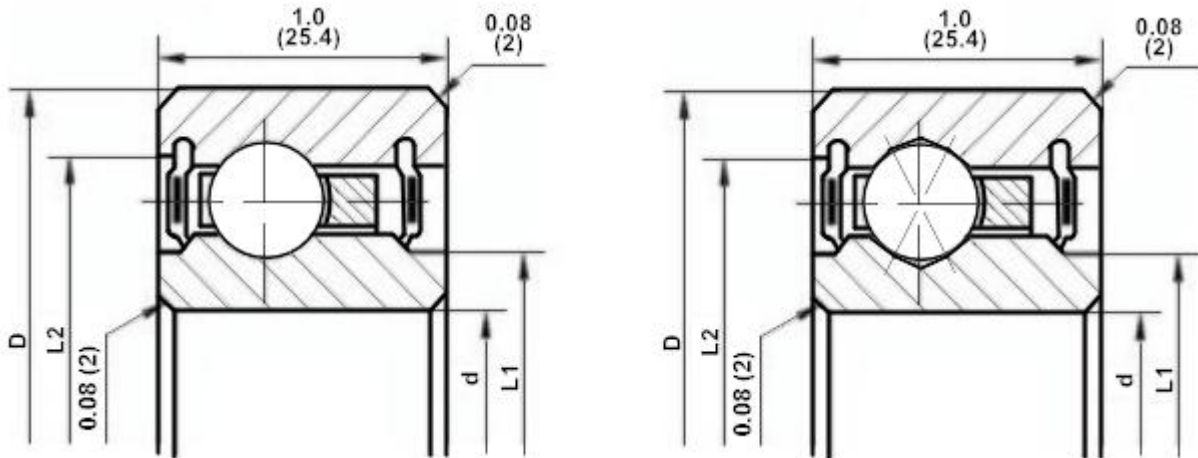
DJA 系列								
型號	尺寸		額定承載力 (N)				單重	對應型號
	(inch / mm)		徑向		推力			
	d	D	Cor	Coa	Cr	Ca	Kg	
DJA020CPO/XL0	2.000	2.500	3020	7600	1420	3510	0.045	JA020CPO/JA020P0
	50.800	63.500						
DJA025CPO/XL0	2.500	3.000	3690	9290	1600	4050	1.154	JA025CPO/JA025P0
	63.500	76.200						
DJA030CPO/XL0	3.000	3.500	4400	10980	1820	4490	0.064	JA03CPO/JAP003
	76.200	88.900						
DJA035CPO/XL0	3.500	4.000	5070	12670	2000	4930	0.077	JA03CPO/JAP003
	88.900	101.600						
DJA040CPO/XL0	4.000	4.5000	5730	14310	2130	5380	0.086	JA040CPO/JAP0040
	101.600	114.300						
DJA042CPO/XL0	4.250	4.750	6090	15160	2220	5600	0.091	JA042CPO/JAP0042
	107.950	120.650						

DJA045CPO/XL0	4.500	5.000	6400	16000	2310	5820	0.095	JA045CPO/JAP0
	114.300	127.000						
DJA047CPO/XL0	4.750	5.250	6760	16850	2400	6000	0.100	JA047CPO/JAP0047
	120.650	133.350						
DJA050CPO/XL0	5.000	5.500	7070	17690	2490	6220	0.104	JA050CPO/JAP0050
	127.000	139.700						
DJA055CPO/XL0	5.500	6.000	7780	19380	2620	6580	0.113	JA055CPO/JAP0055
	139.700	152.400						
DJA060CPO/XL0	6.000	6.500	8450	21070	2800	6980	0.127	JA060CPO/JAP006
	152.400	165.100						
DJA065CPO/XL0	6.500	7.000	9110	22760	2930	7330	0.136	JA065CPO/JAP0065
	165.100	177.800						



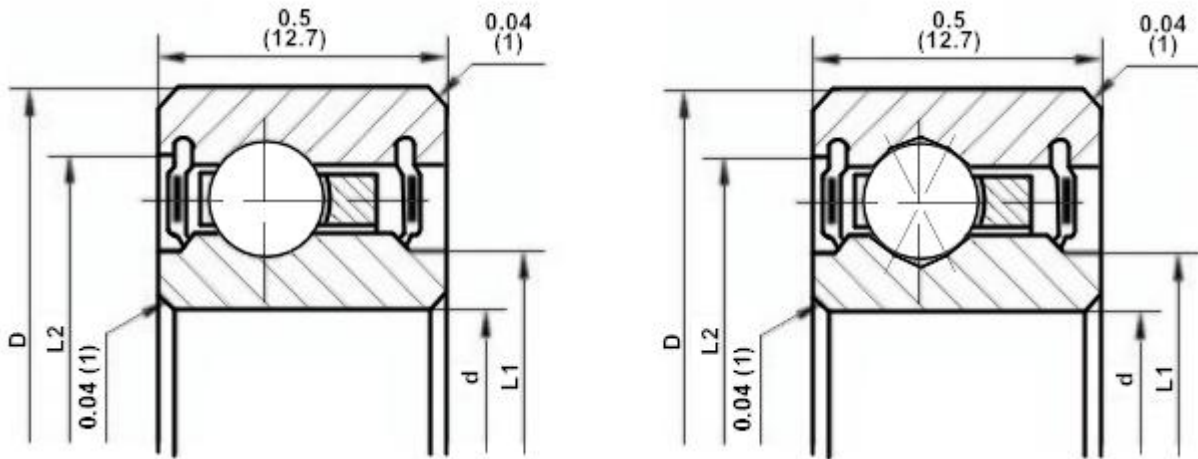
DJB 系列								對應型號 KAYDON
型號	尺寸 (inch / mm)		額定承載力 (N)				單重 Kg	
	d	D	徑向		推力 (XP0)			
			Cor	Coa	Cr	Ca		
DJB020CPO/XP0	2.000	2.625	4130	10400	2000	5020	0.068	JB020CPO/JB020XP0
	50.800	66.700						
DJB025CPO/XP0	2.500	3.125	5070	12620	2310	5730	0086	JB025CPO/JB025XP0
	63.500	79.375						
DJB030CPO/XP0	3.000	3.625	5960	14890	2580	64000	0.100	JB030CPO/JB030XP0
	76.200	92.075						
DJB035CPO/XP0	3.500	4.125	6850	17160	2800	7070	0.122	JB035CPO/JB035XP0
	88.900	104.775						

DJB040CPO/XP0	4.000	4.625	7780	19430	3070	7650	0.136	JB040CPO/JB040XP0
	101.600	117.475						
DJB042CPO/XP0	4.250	4.875	8130	20310	3160	7910	0.141	JB042CPO/JB042XP0
	107.950	123.825						
DJB045CPO/XP0	4.500	5.125	8670	21690	3280	8220	0.154	JB045CPO/JB045XP0
	114.300	130.175						
DJB047CPO/XP0	4.750	5.375	9020	22580	3380	8450	0.159	JB047CPO/JB047XP0
	120.650	136.525						
DJB050CPO/XP0	5.000	5.625	9560	23910	3510	8800	0.168	JB050CPO/JB050XP0
	127.000	142.875						
DJB055CPO/XP0	5.500	6.125	10490	26180	3730	9340	0.181	JB055CPO/JB055XP0
	139.700	155.575						
DJB060CPO/XP0	6.000	6.625	11380	28450	3960	9870	0.200	JB060CPO/JB060XP0
	152.400	168.275						
DJB065CPO/XP0	6.500	7.125	12270	30720	4130	10400	0.213	JB065CPO/JB065XP0
	165.100	180.975						



DJG 系列								對應型號
型號	尺寸		額定承載力 (N)				單重	
	(inch / mm)		徑向		推力 (XP0)			
	d	D	Cor	Coa	Cr	Ca	Kg	
DJG120CPO/XP0	12.000	14.000	94860	127140	378630	94590	4.218	JG120CPO/JG120XP0
	304.800	355.600						
DJG140CPO/XP0	14.000	16.000	109440	273630	41600	152950	4.899	JG140CPO/JG140XP0
	355.600	406.400						

DJG160CPO/XP0	16.000	18.000	124060	310130	45250	113130	5.579	JG160CPO/JG160XP0
	406.400	457.200						
DJG180CPO/XP0	18.000	20.000	138640	346620	48720	130240	6.214	JG180CPO/JG180XP0
	457.200	508.000						
DJGC200PO/XP0	20.000	22.000	153220	383070	52100	121840	7.167	JG200CPO/JG200XP0
	508.000	558.800						



DJU 系列								對應型號		
型號	尺寸		額定承載力 (N)				單重			
	(inch / mm)		徑向		推力					
	d	D	Cor	Coa	Cr	Ca	Kg	NTN	KAYDON	INA
DJU040CPO/XP0	4.000	4.750	9340	23380	3910	9820	0.249	KRJ040LL	JU040CPO	CSCU040-2RS
	101.600	120.650							JU040XPO	CSXU040-2RS
DJU042CPO/XP0	4.250	5.000	9870	24710	4090	10180	0.263	KRJ042LL	JU042CPO	CSCU042-2RS
	107.950	127.000							JU042XPO	CSXU042-2RS
DJU045CPO/XP0	4.500	5.250	10400	26050	4220	10580	0.277	KRJ045LL	JU045CPO	CSCU045-2RS
	114.300	133.350							JU045XPO	CSXU045-2RS
DJU047CPO/XP0	4.750	5.500	10940	27380	4360	10940	0.295	KRJ047LL	JU047CPO	CSCU047-2RS
	120.650	139.700							JU047XPO	CSXU047-2RS
DJU050CPO/XP0	5.000	5.750	11510	28720	4490	11290	0.308	KRJ050LL	JU050CPO	CSCU050-2RS
	127.000	146.050							JU050XPO	CSXU050-2RS
DJU055CPO/XP0	5.500	6.250	12580	31380	4800	11960	0.336	KRJ055LL	JU055CPO	CSCU055-2RS
	139.700	158.750							JU055XPO	CSXU055-2RS
DJU060CPO/XP0	6.000	6.750	13650	34050	5070	12620	0.367	KRJ060LL	JU060CPO	CSCU060-2RS
	152.400	171.450							JU060XPO	CSXU060-2RS

DJU065CPO/XP0	6.500	7.250	14740	36760	5330	13290	0.395	KRJ065LL	JU065CPO	CSCU065-2RS
	165.100	184.150							JU065XPO	CSXU065-2RS
DJU070CPO/XP0	7.000	7.750	15780	39430	5560	13910	0.422	KRJ070LL	JU070CPO	CSCU070-2RS
	177.800	196.850							JU070XPO	CSXU070-2RS
DJU075CPO/XP0	7.500	8.250	16850	42090	5820	14540	0.449	KRJ075LL	JU075CPO	CSCU075-2RS
	190.500	209.550							JU075XPO	CSXU075-2RS
DJU080CPO/XP0	8.000	8.750	17910	44760	6050	15160	0.481	KRJ080LL	JU080CPO	CSCU080-2RS
	203.200	222.250							JU080XPO	CSXU080-2RS
DJU090CPO/XP0	9.000	9.750	20050	50100	6530	16310	0.535	KRJ090LL	JU090CPO	CSCU090-2RS
	228.600	247.650							JU090XPO	CSXU090-2RS
DJU100CPO/XP0	10.000	10.750	22180	55430	6980	17470	0.591	KRJ100LL	JU100CPO	CSCU100-2RS
	254.000	273.050							JU100XPO	CSXU100-2RS
DJU100CPO/XP0	11.000	11.750	24310	60810	7420	18580	0.649	KRJ100LL	JU100CPO	CSCU100-2RS
	279.400	298.450							JU100XPO	CSXU100-2RS
DJU120CPO/XP0	12.000	12.750	26450	66140	7870	19650	0.594	KRJ120LL	JU120CPO	CSCU120-2RS
	304.800	323.850							JU120XPO	CSXU120-2RS